

Part Number: PT228-60060

Kit Contents

Item #	Quantity Reqd.	Description
1	1	Trailer Hitch
2	1	4P Bracket
3	1	Toyota Hitch Plug
4	1	Hitch Cover

Hardware Bag Contents

Item #	Quantity Reqd.	Description
1	6	M12 x 45 Hex Flange Bolt
2	1	Instructions

Additional Items Required For Installation

Item #	Quantity Reqd.	Description
1		

Conflicts

--

Recommended Tools

Personal & Vehicle Protection	Notes
Safety Glasses	
Masking Tape	
Special Tools	Notes
None	
Installation Tools	Notes
3/8" Socket wrench	
Phillips Screwdriver	
Flat Screwdriver	
10 mm Box end wrench	
6" Socket extension	
Socket	10 mm
Socket	17mm
Torque Wrench	0 – 100 lbf-ft.
Torque Wrench	0 – 100 lbf-in
Nylon Clip Removal Tool	e.g. Panel Pry Tool #1 Toyota SST # 00002-06001-01
Cloth	
Special Chemicals	Notes
None	

NOTE: Part number of this accessory may not be the same as the part number shown.

General Applicability

All

Recommended Sequence of Application





Item #	Accessory
1	Trailer Hitch
2	Wire Harness
3	Spare Tire Cover

*Mandatory

Vehicle Service Parts (may be required for reassembly)

Item #	Quantity Reqd.	Description
1		
2		
3		

Legend

	STOP: Damage to the vehicle may occur. Do not proceed until process has been complied with.
	OPERATOR SAFETY: Use caution to avoid risk of injury.
	CAUTION: A process that must be carefully observed in order to reduce the risk of damage to the accessory/vehicle and to ensure a quality installation.
	TOOLS & EQUIPMENT: Used in Figures calls out the specific tools and equipment recommended for this process.

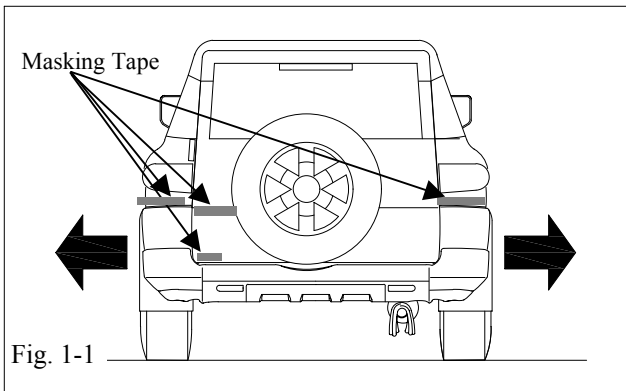
Care must be taken when installing this accessory to ensure damage does not occur to the vehicle. The installation of this accessory should follow approved guidelines to ensure a quality installation.

These guidelines can be found in the "Accessory Installation Practices" document.



This document covers such items as:-

- Vehicle Protection (use of covers and blankets, cleaning chemicals, etc.).
- Safety (eye protection, rechecking torque procedure, etc.).
- Vehicle Disassembly/Reassembly (panel removal, part storage, etc.).
- Electrical Component Disassembly/Reassembly (battery disconnection, connector removal, etc.).

Please see your Toyota dealer for a copy of this document.



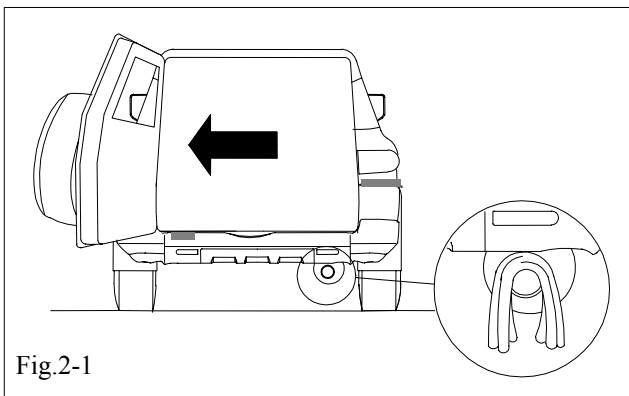
1. Prepare for Installation.


-  (a) Verify kit contents
-  (b) Wear safety glasses.
- (c) Raise vehicle.
- (d) Caution muffler might be hot

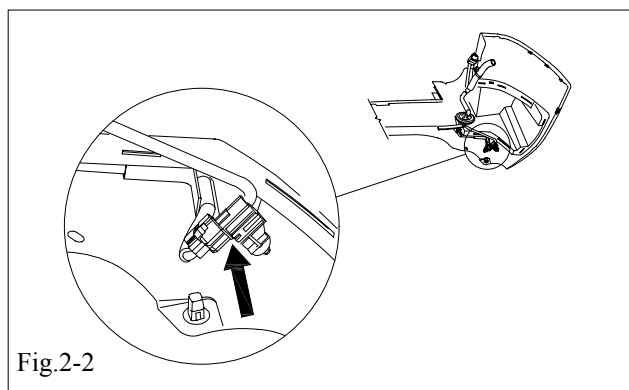
NOTE: Apply masking tape to quarter panels above the bumper fascia. To prevent damage when removing the bumper fascia, apply masking tape on the underside of the bottom left-hand corner of the door and left hand upper corner of door. (Fig. 1-1)

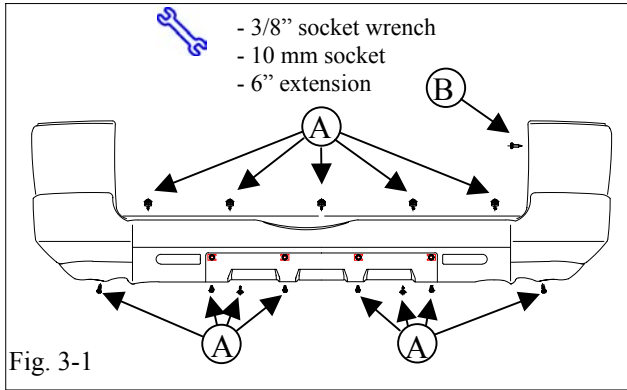
2. Prepare Vehicle for Rear Bumper Fascia Removal.

- (a) Open rear door (Fig. 2-1).
- (b) Protect exhaust tip with a rag or protective tape during installation of hitch. (Fig. 2-1)



-  **NOTE:** If the vehicle is equipped with proximity sensors, detach the sensor wire connector from inside the fascia, behind the rear wheels on both sides of the vehicle (Fig. 2-2).

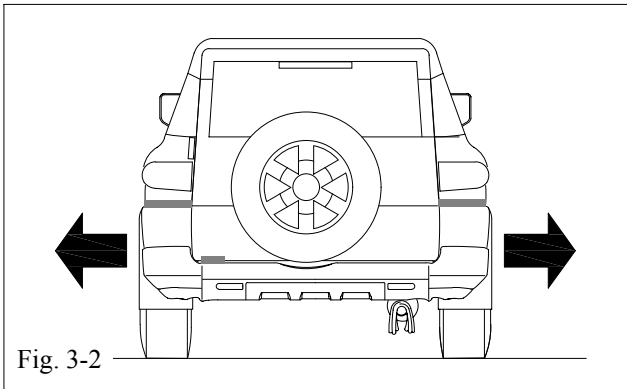




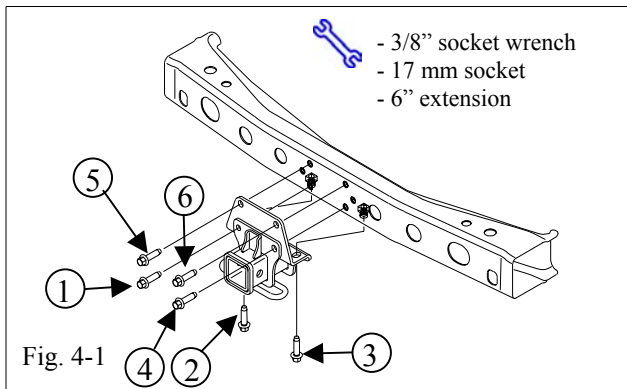
3. Remove Rear Bumper Fascia.

NOTE: Protect rear bumper to prevent damage from tools (i.e. air tools) when removing the fascia bolts.

- (a) Remove the 13 6 mm hex head bolts (A) from rear bumper fascia. (Fig. 3-1)
- (b) Remove one (1) push pin (B) from fascia (Fig. 3-1)

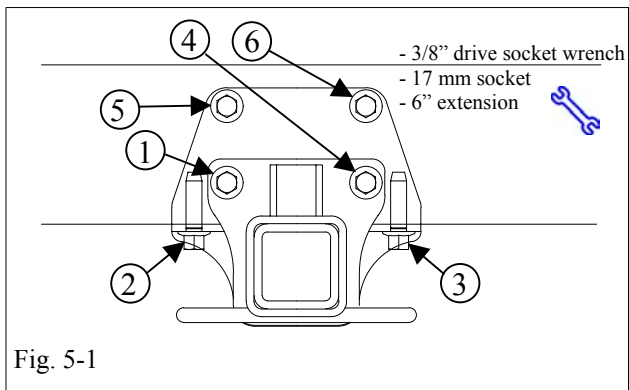


- (c) Unsnap the sides of the fascia from the vehicle. (Fig. 3-2)
- (d) With one person on each end, remove fascia from vehicle. Store in a safe place to avoid damage during installation. (Fig. 3-2)



4. Install Hitch.

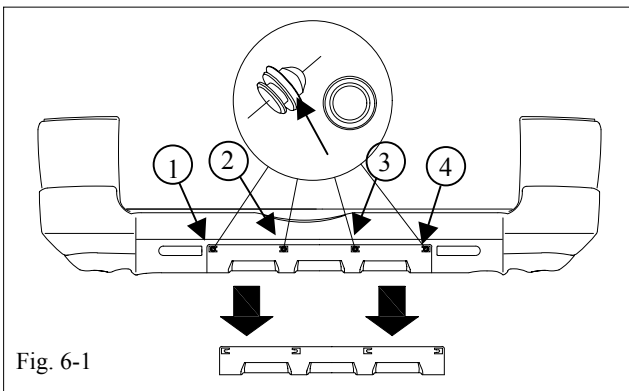
- (a) Install one (1) M12 x 45 bolt into the 13 mm hole as shown (Bolt 1). (Fig. 4-1)
- (b) Install two (2) M12 x 45 bolts in the lower slots (Bolts 2 & 3). (Fig. 4-1)
- (c) Install three (3) M12 x 45 bolts in the 15mm holes (Bolts 4 to 6). (Fig. 4-1)



5. Tighten Hitch Bolts.

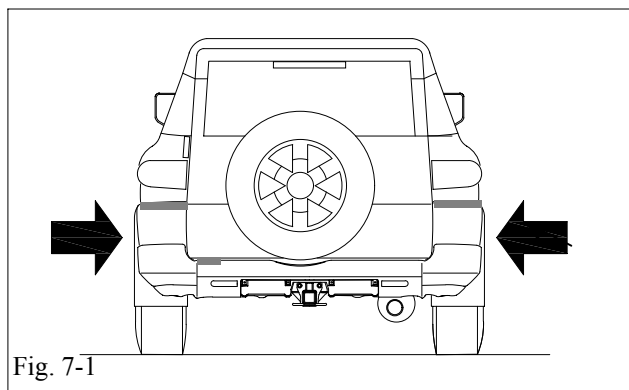


- (a) Tighten all M12 x 45 bolts to 108 N-m (80 lbf-ft) in the sequence shown (Bolts 1 to 6). (Fig. 5-1)



6. Remove Original Cover from Bumper Fascia.

- (a) Remove original cover from fascia. (Fig. 6-1)
- (b) Remove four (4) clips from original cover (Clips 1 to 4). Save clips for reuse in next step. (Fig. 6-1)
- (c) Install the four (4) clips from the original cover on the hitch cover (included in the kit.)



7. Reinstall Rear Bumper Fascia.

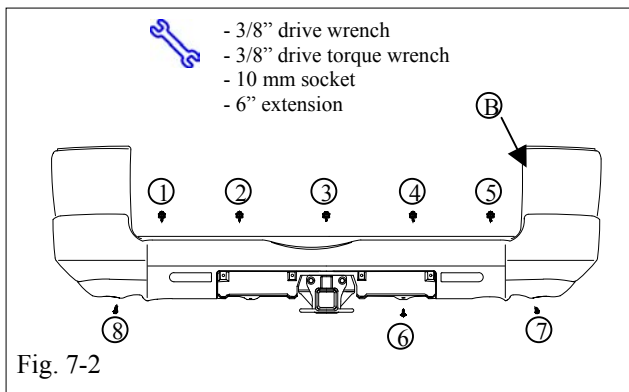
- (a) With one person on each end, reinstall the bumper fascia and snap the ends onto the vehicle. (Fig. 7-1)
- (b) Install eight (8) M6 bolts (A) as shown (Bolts 1 to 8). (Fig 7-2)
- (c) Reinstall push pin (B).

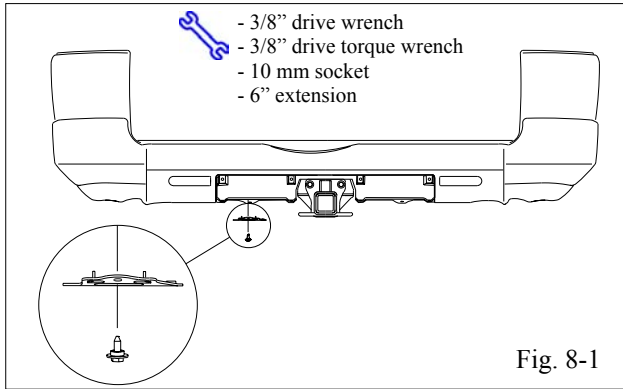


NOTE: Leave one M6 bolt out as shown for the installation of the 4P Bracket. And leave 4 out for the Hitch Cover.



- (d) Tighten the M6 bolts (Bolts 1 to 6) on the fascia to 8 N-m (71 lbf-in) as shown.
- (e) Tighten the remaining M6 bolts (Bolts 7 & 8). (Fig. 7-2)



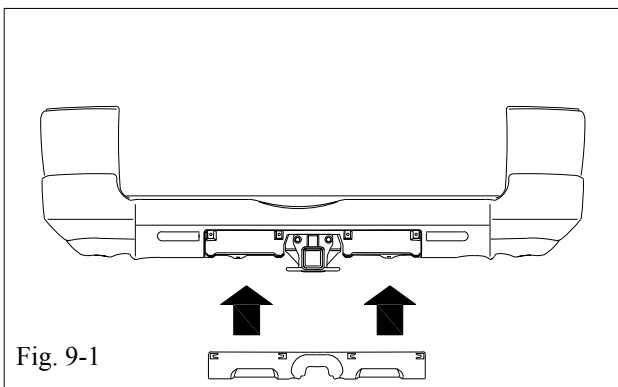


8. Install the 4 Pin Wire Attach Bracket.

(a) Install the 4P Bracket with the M6 bolt as shown. (Fig. 8-1)



(b) Tighten the (1) M6 bolt on the 4P Bracket to 8 N-m (71 lbf-in) as shown. (Fig. 8-1)

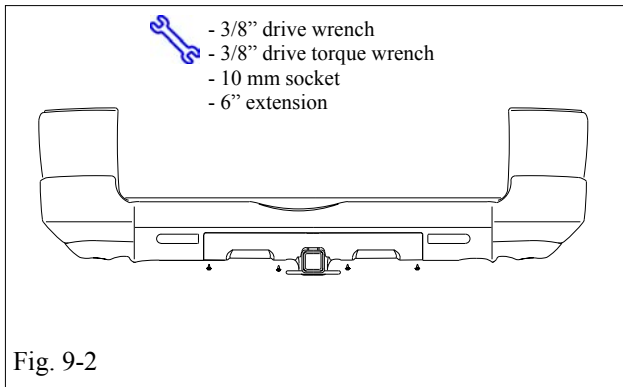


9. Install Replacement Hitch Cover.

(a) Install the Replacement Cover to the fascia by aligning and snapping in the (4) clips into the fascia (Fig 9-1)

(b) Install (4) M6 bolts through the Cover and into the fascia as shown. (Fig 9-2)

(c) Tighten the (4) M6 bolts on the Hitch Cover as shown (Fig. 9-2)



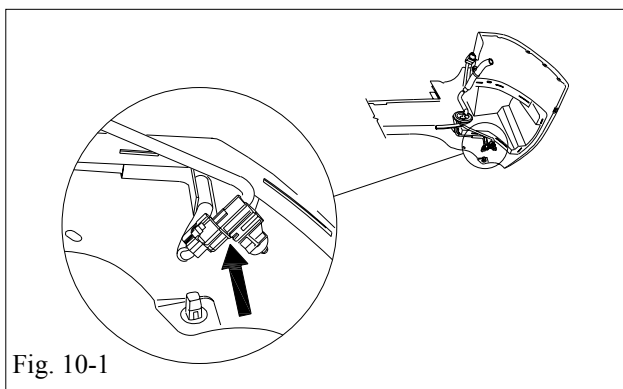
10. Completing the Installation.

(a) If the vehicle is equipped with proximity sensors, reattach the sensor wire connector from inside the fascia, behind the rear wheels on both sides of the vehicle (Fig.10-1).

(b) Remove masking tape and exhaust tip protection.



(c) Place hitch plug in glove box.



TOYOTA FJ CRUISER 2007 - TOWING HITCH

Checklist - these points **MUST** be checked to ensure a quality installation.

Check:

Look For:

Accessory Function Checks

Perform Visual check of Trailer Hitch

Inspection torque (M12 bolts)

 Hitch plug.

No Visible Gaps between mating parts or loose bolts.

80 +/- 12 lbf-ft (108 +/- 16 N-m).

Placed in glove box.

Vehicle Function Checks

Park assist (if equipped)

Check for functioning park assist.